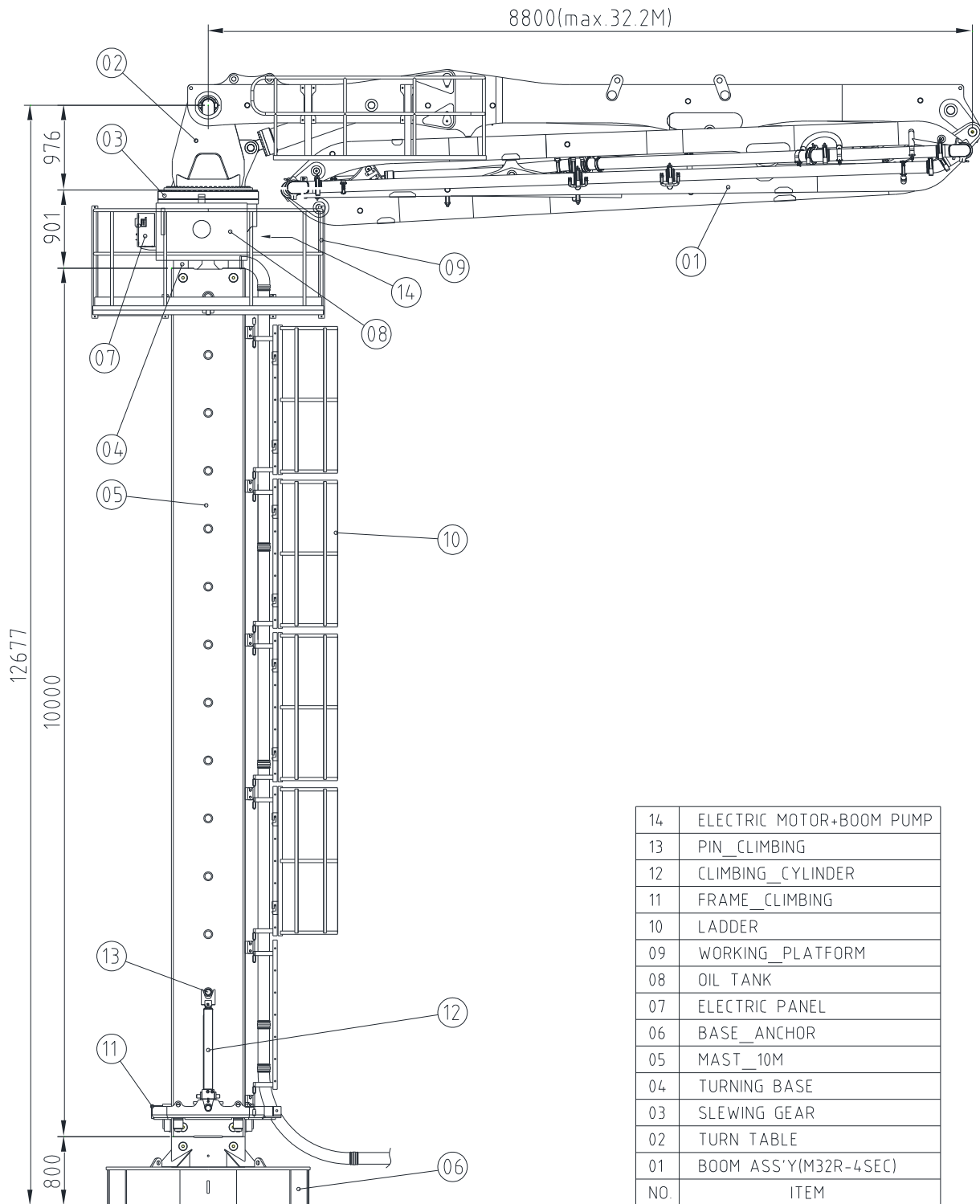


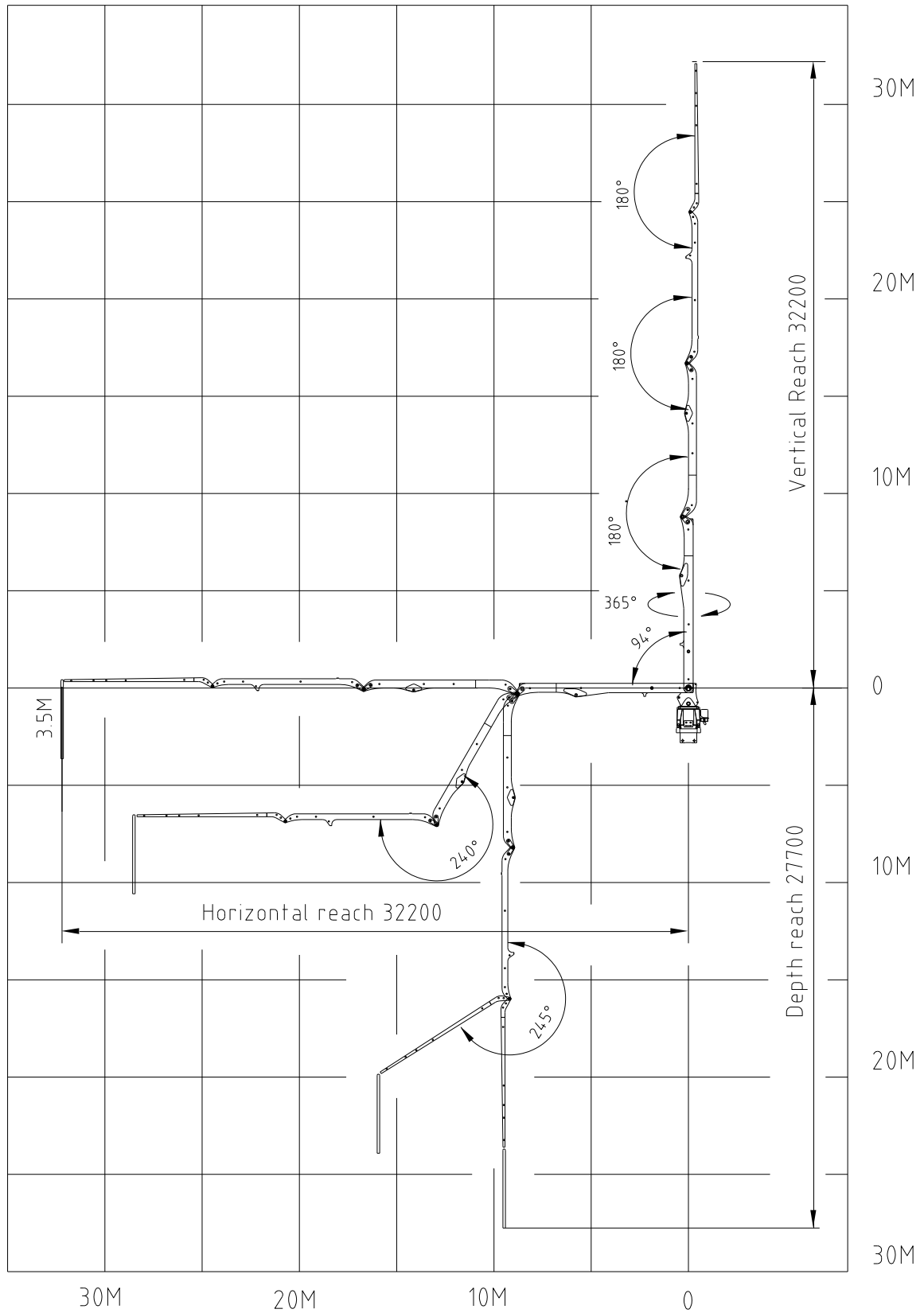
KB-M32R

Placing Boom System _ Layout



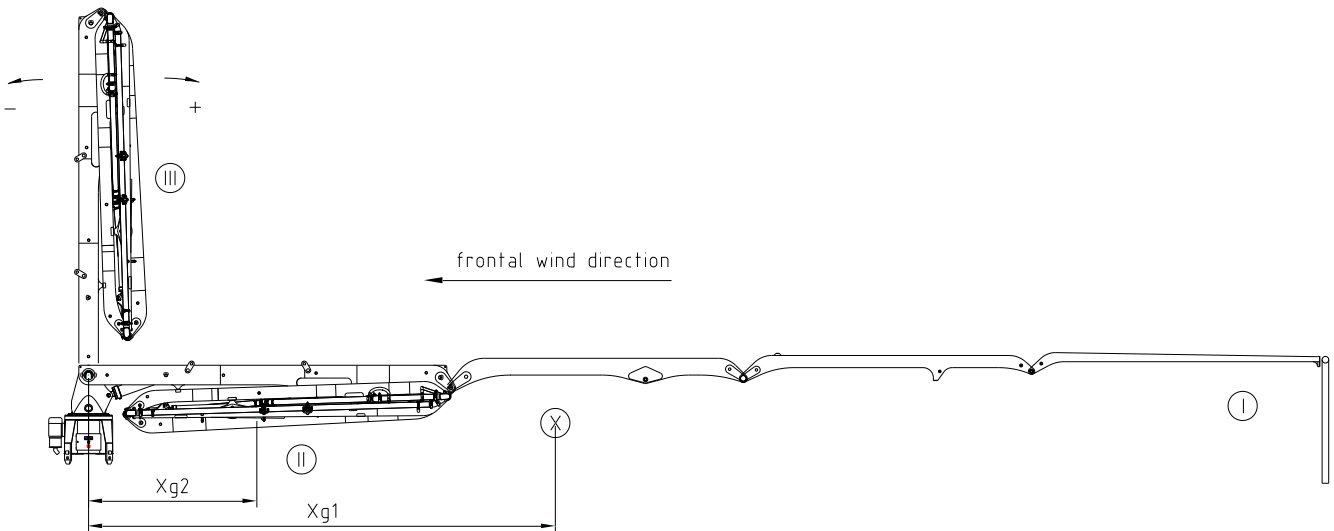
KB-M32R

Placing Boom System Working _ Working diagram



KB-M32R

Placing Boom System Technical data



MOMENT [KNm]

Position of boom	Moment(boom side) → +
I with concrete in pipe-line	→ 760 KNm
II without concrete in pipe-line	→ 243 KNm
III without concrete in pipe-line	→ 25 KNm

Total weight [kg]– boom, table, base(with oil), motor, pump, (+concrete)

In operation	8,500 kg	Out of operation	7,600 kg
--------------	----------	------------------	----------

Wind-exposed areas [m²]

Position of boom	Wind-exposed area	Center of gravity distance	remark
I	12 m ² boom-side	Xg1 = 10 m	Wind surface perpendicular to frontal wind
II	12 m ² boom-side	Xg2 = 4.2 m	
I/II	2.6 m ²	Ys = 1.4 m	Exposed area in frontal wind
III	10.3 m ²	Ys = 4.2 m	

Comment : lateral thrust due to wind is calculated according to DIN 1055

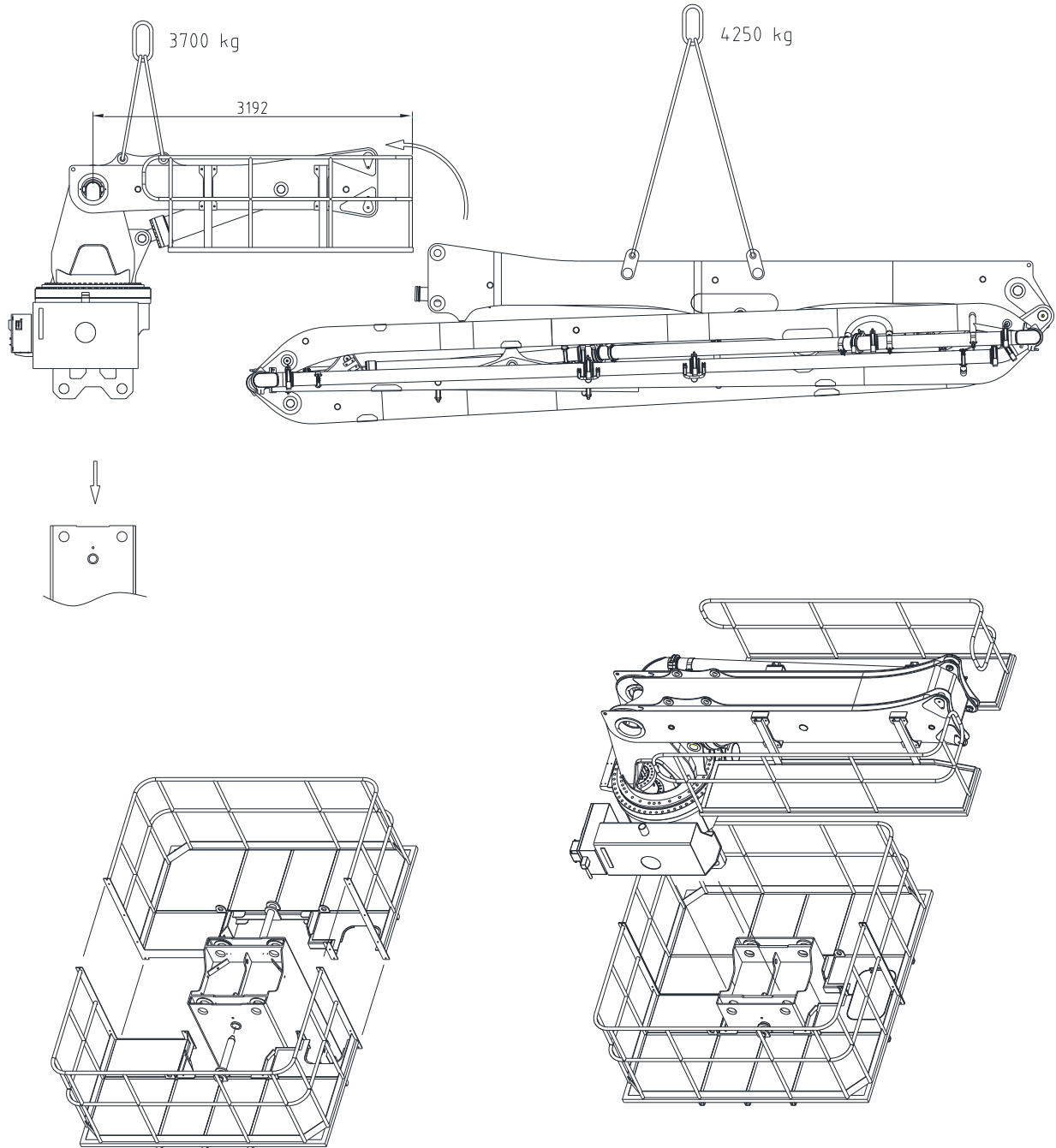
Absolute altitude [m]	0~8	8~20	20~100	Above 100
W [N/m ²]	800	1,280	1,760	2,080

$$F = W \times A$$

F : wind force	W : lateral thrust due to wind	A : wind surface area
----------------	--------------------------------	-----------------------

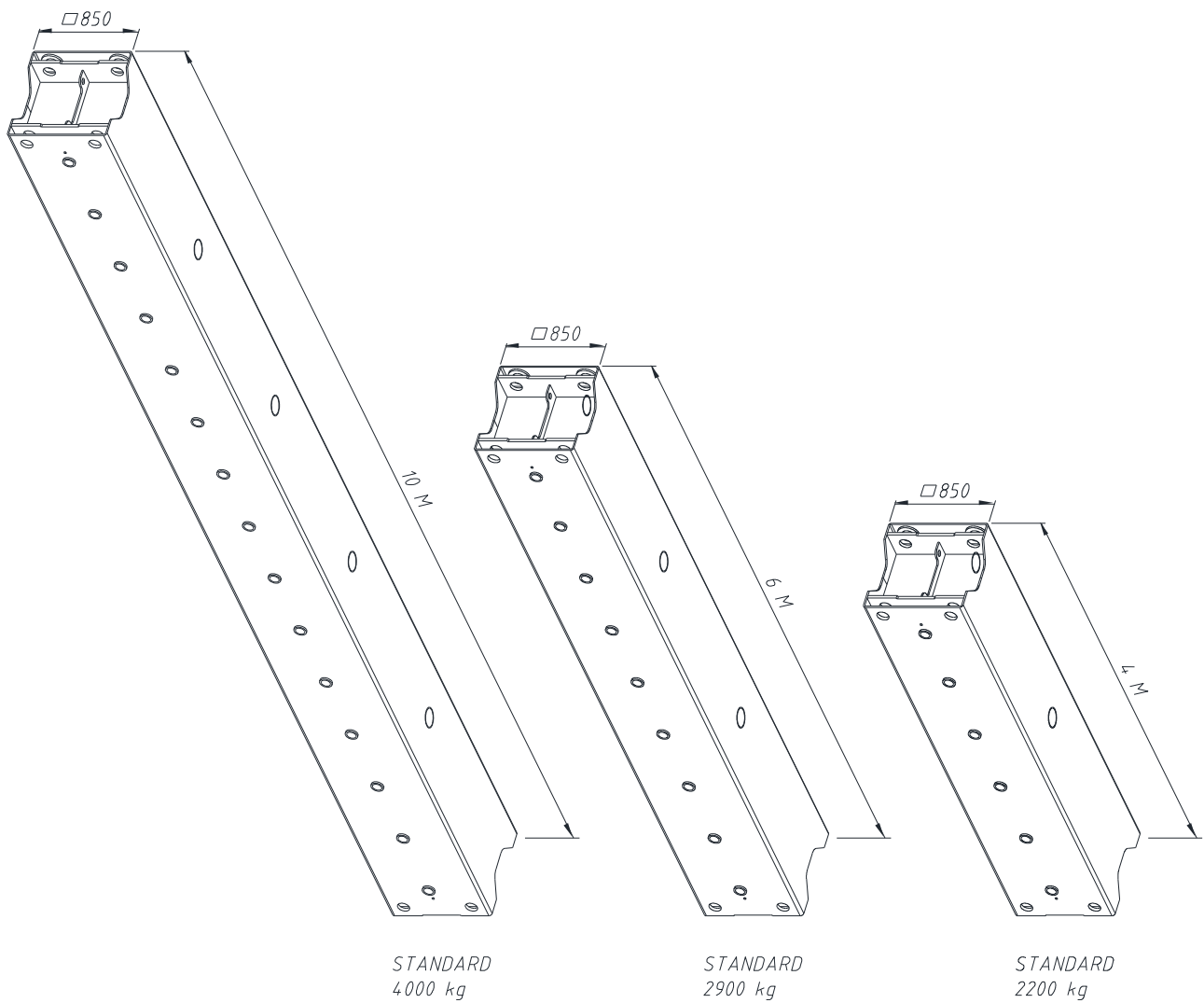
KB-M32R

PLACING BOOM SYSTEM ----- [BOOM ASS'Y & UPPER PARTS]



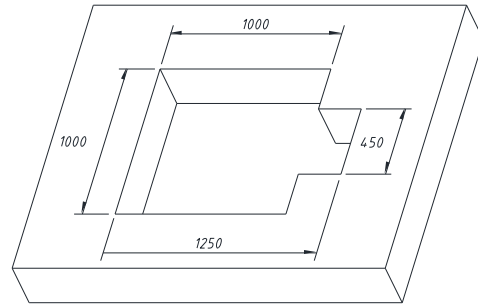
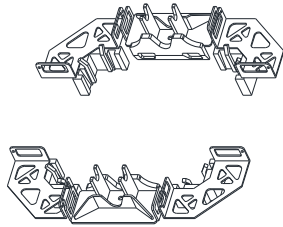
KB-M32R

PLACING BOOM SYSTEM ----- [MAST]

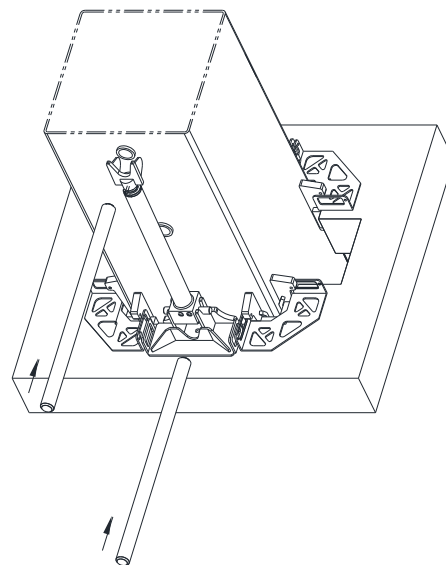
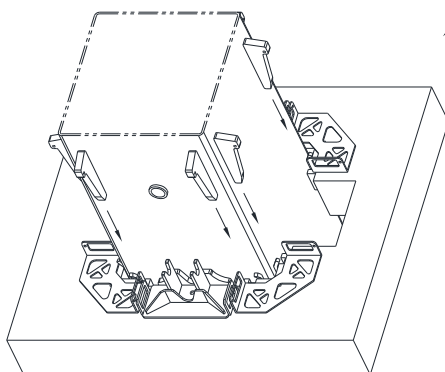
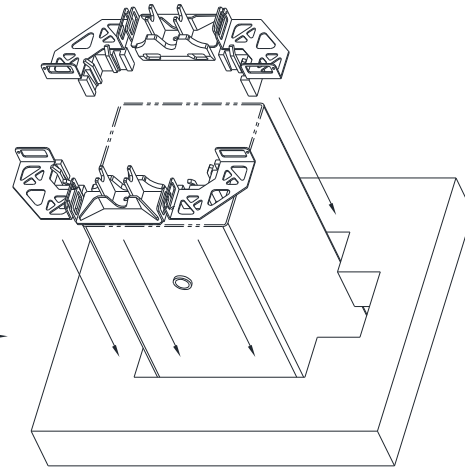
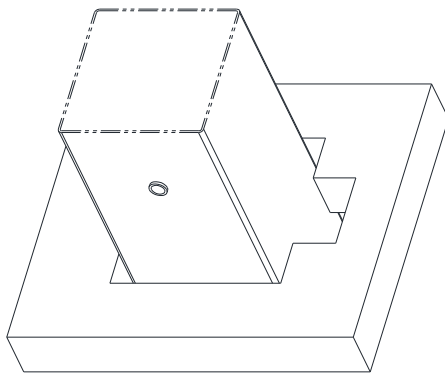


KB-M32R

PLACING BOOM SYSTEM ----- [FRAME _ CLIMBING, CLIMBING_CYLINDER]

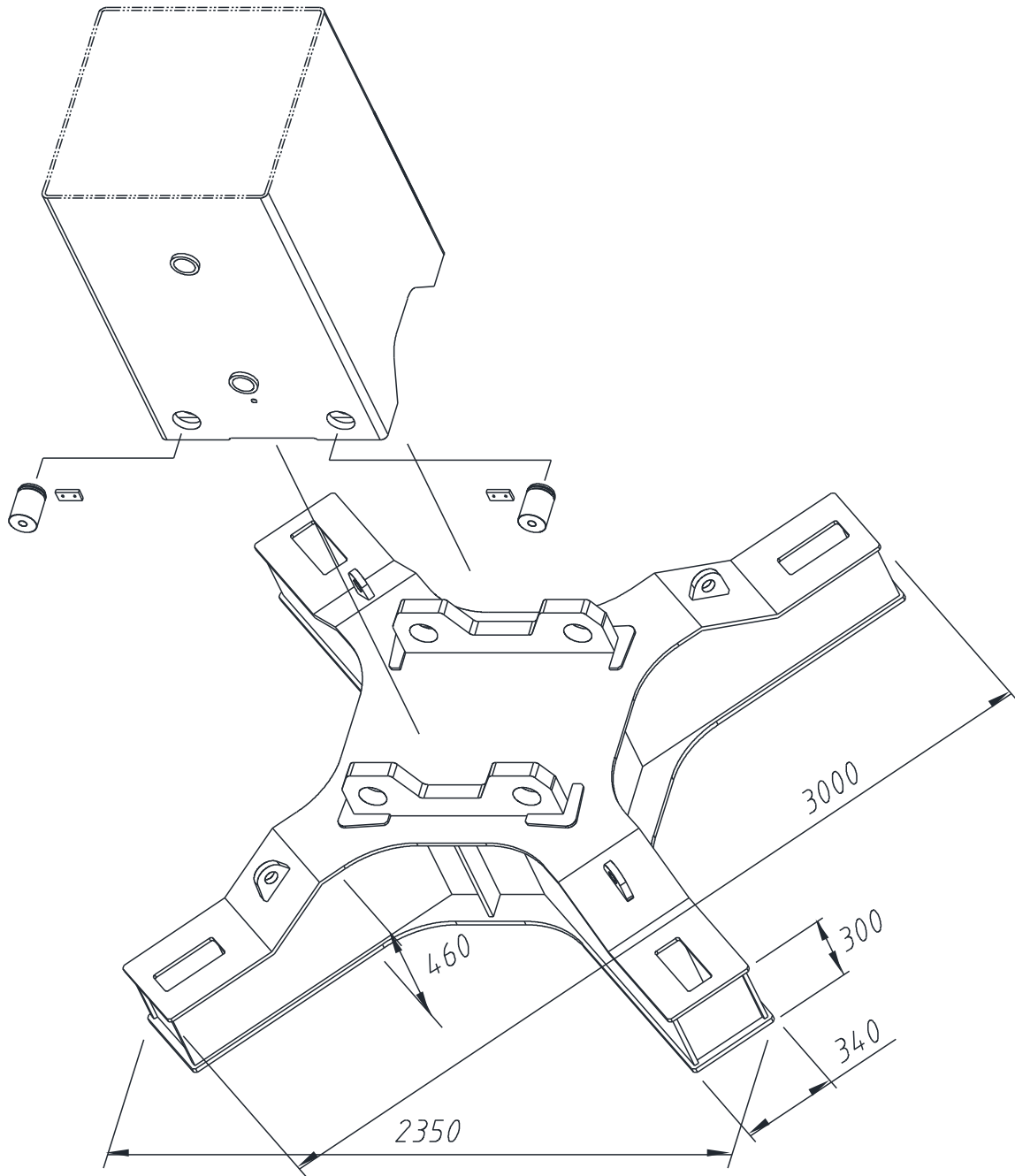


WEDGE BLOCK
CLIMBING SHOE
TOTAL : 160 kg



KB-M32R

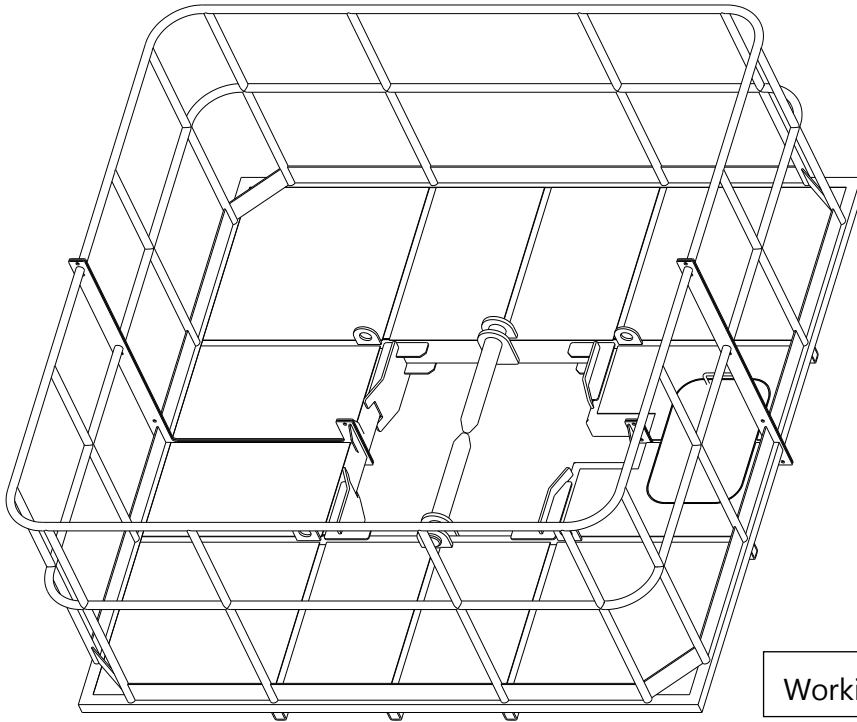
PLACING BOOM SYSTEM ----- [BASE_ANCHOR]



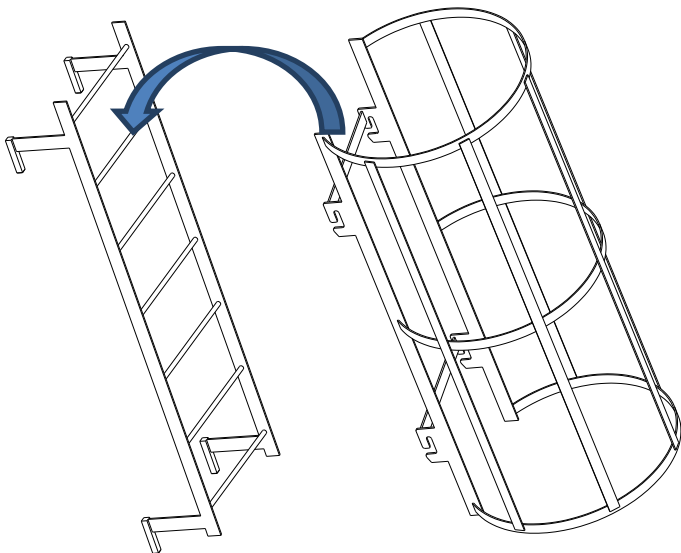
*BASE ANCHOR
1,850 kg*

KB-M32R

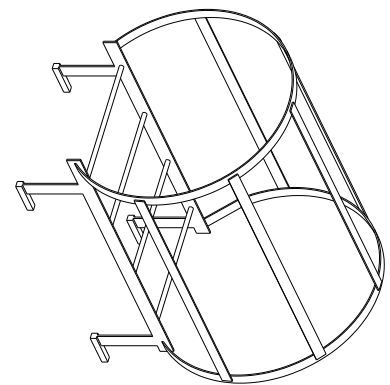
PLACING BOOM SYSTEM ----- [WORKING PLATFORM & LADDER]



Working platform : 570 KG

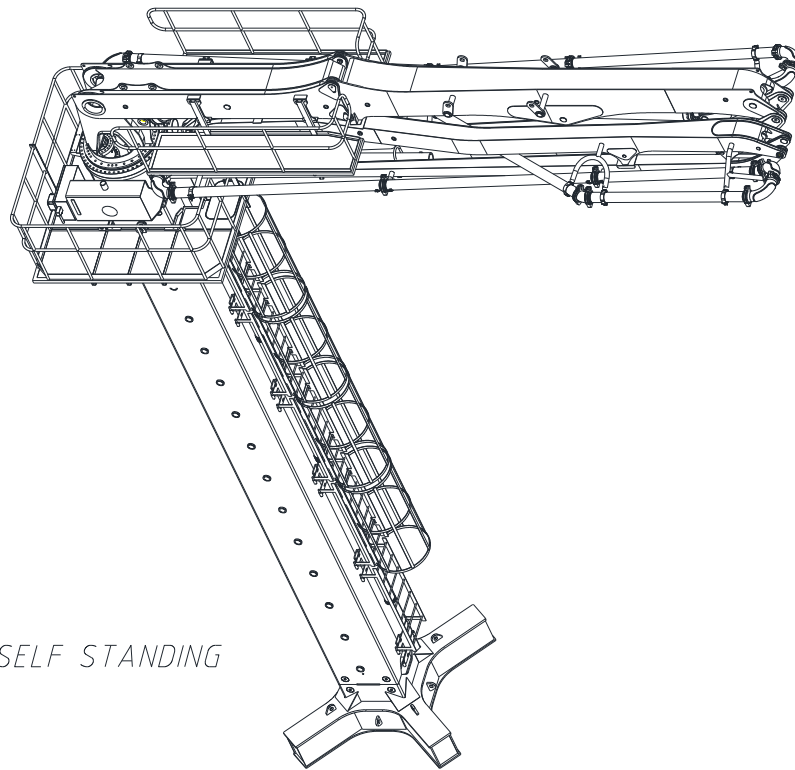


Ladder(STD) : 20kg+30kg = 50kg

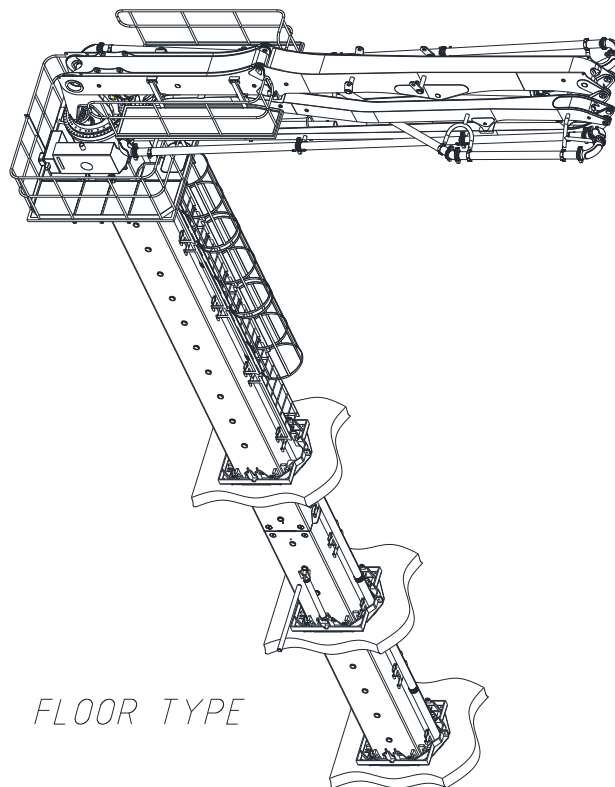


Ladder(OPT): 25kg

KB-M32R TYPE



SELF STANDING



FLOOR TYPE